

FIBER OPTIC CONNECTORS & COMPONENTS

ODC[®] - Outdoor connector



RADIALL 
The next connexion



Designed for the fiber to antenna (FTTA) applications, ODC[®] fiber optic connector can withstand harsh environmental conditions when being used in outdoor applications.

MAIN BENEFITS

Robust connection

- fully protected ceramic ferrules and alignment sleeves: no risk to damage the optical faces during mounting/dismounting operations.

Easy installation

- standard interface: N type connector size
- screwed locked mechanism: easy to install (U-19mm wrench / 10N/cm torque)
- fast and easy connection: blind mate coupling.

Resistant in harsh environment, adapted for outdoor use

- waterproof connection
- dust proof
- corrosion resistant / EMI immunity
- high tensile strength.

PERFORMANCE SPECIFICATION

Optical

insertion loss (IEC 61300-3-4)	multimode	typ \leq 0.2 dB (max \leq 0.5 dB)
	singlemode	typ \leq 0.2 dB (max \leq 0.7 dB)
return loss	singlemode	\geq 50 dB

Mechanical

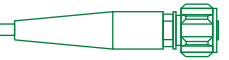
mechanical resistance	ODC plug	\leq 800 N tensile strength (with field cable)
	ODC socket	\leq 30 N tensile strength (with simplex cable)
mating endurance	IEC 61300-2-2	min 200 cycles

Environmental

operating temperature range	IEC 61300-2-22	-40°C / +85°C (depending on cable type)
salt mist	IEC 61300-2-26	passed
vibration	IEC 61300-2-1	passed
protection class	IP 67 (with cap or when coupled)	

Material

housing	brass
plating	nickel-silver (for EMP best protection)



TELECOMMUNICATION

ODC connectors are particularly designed for antenna uplink and downlink for RRH (Remote Radio Head) and RRU (Remote Radio Units) in new generation flexible Base Stations (3G, 4G, Wimax, CDMA,...).



TRANSPORTATION

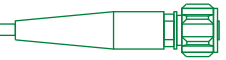
Intelligent Traffic Systems (ITS), Video transmission for surveillance of intersections, ramps, tunnels, incident detection,...

BROADCAST - CATV





Broadcast TV programs, transport high speed data flow by computer through CATV network, conference TV




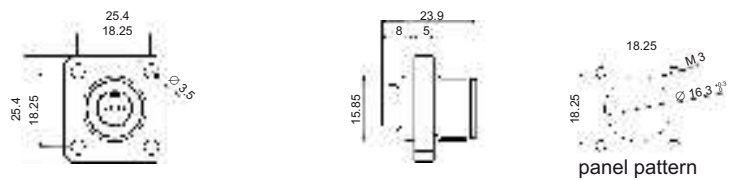

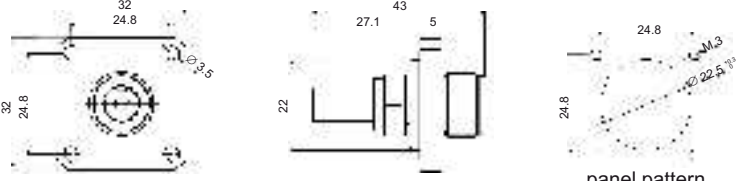

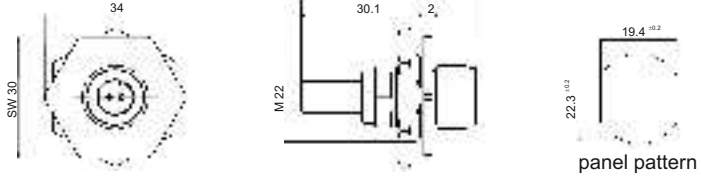

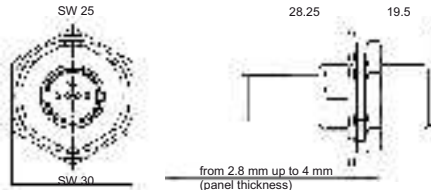

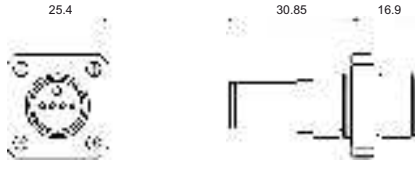
OTHER APPLICATIONS

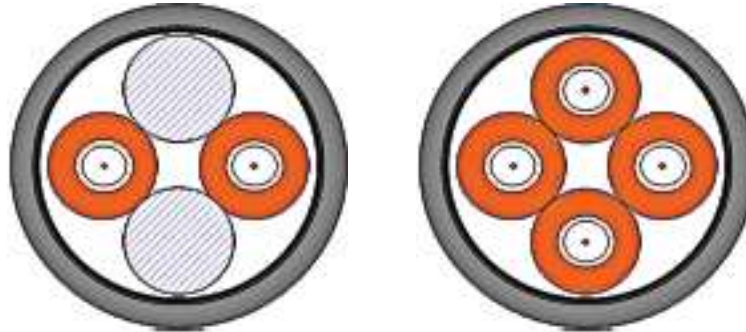
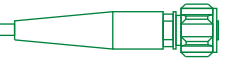


ODC[®] PLUGS

<p>ODC2 Singlemode Multimode</p> <p>Standard type</p> 	
<p>ODC4</p> <p>Multimode</p> <p>Standard type</p> 	

ODC[®] SOCKETS

<p>ODC2 Singlemode Multimode</p> <p>Square flange SMALL size 24.5x24.5 mm</p> 	 <p>panel pattern</p>
<p>ODC2 Singlemode Multimode</p> <p>Square flange LARGE size 32x32 mm</p> 	 <p>panel pattern</p>
<p>ODC2</p> <p>Multimode</p> <p>Hexagonal flange (30 mm on flats)</p> 	 <p>panel pattern</p>
<p>ODC4</p> <p>Multimode</p> <p>Hexagonal flange (30 mm on flats)</p> 	
<p>ODC4</p> <p>Multimode</p> <p>Square flange SMALL size 24.5x24.5 mm</p> 	



Cable type	Fiber type	Connector type	Operating temperature (°C)	Flame resistance	UV Resistance	LSZH
Simplex cable	single mode 9/125	ODC socket 2/4 channels	-40/ +85	Fire retardant	ASTM G154	Yes
	multimode 50/125					
	multimode 62.5/125					
Field cable 2 fibers	single mode 9/125	ODC plug 2 channels	-40/ +85	UL94-V2 min	ASTM G154	Yes
	multimode 50/125		-35/ +70	UL 1666		
			-40/ +85	UL94-V2 min		
	multimode 62.5/125		-35/ +70	UL 1666		
Field cable 4 fibers	multimode 50/125	ODC plug 4 channels	-40/ +85	UL94-V2 min	ASTM G154	Yes
	multimode 62.5/125		-40/ +85	Fire retardant		
	multimode 50/125		-35/ +70	UL 1666		

All our cables are RoHS compliant

ACCESSORIES

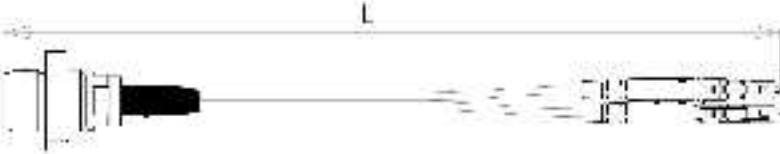


RADIALL also propose specific solution for specific requirement. Many custom boots are now available in order to adapt to your application field



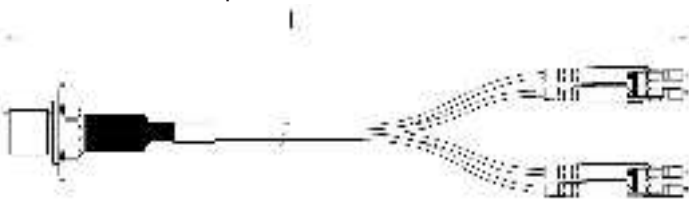
Standard ODC cable assemblies are available from stock offering quick delivery. For other requests, please consult the order instruction page and send your requirement to your nearest Radiall sales network.

ODC2 socket / Duplex LC plug, length (L) = 1m
 multimode or singlemode = 2 simplex cables



	Part number
Singlemode	F792 855 220
Multimode	F792 858 220

ODC4 socket / Duplex LC plug x 2, length (L) = 1m
 multimode = 4 simplex cables



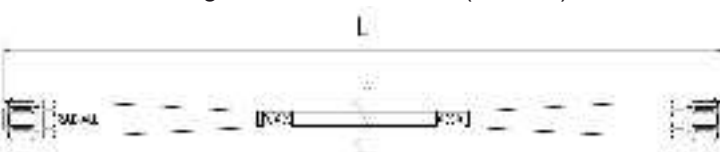
	Part number
Multimode	F792 858 240

ODC2 plug / Duplex LC plug, length (L) = 5m or 50m
 multimode or singlemode = field cable (2 fibers)



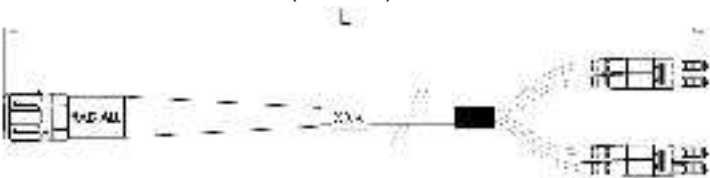
	Dimension	Part number
Singlemode	Length = 5m	F792 855 620-05
	Length = 50m	F792 855 620-50
Multimode	Length = 5m	F792 858 620-05
	Length = 50m	F792 858 620-50

ODC2 plug / ODC2 plug, length (L) = 5m or 50m
 multimode or singlemode = field cable (2 fibers)



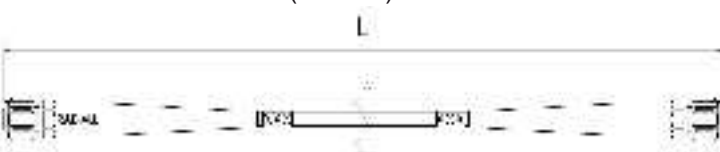
	Dimension	Part number
Singlemode	Length = 5m	F792 885 620-05
Singlemode	Length = 50m	F792 885 620-50
Multimode	Length = 5m	F792 888 620-05
Multimode	Length = 50m	F792 888 620-50

ODC4 plug / Duplex LC plug x 2, length (L) = 5m or 50m
 multimode = field cable (4 fibers)

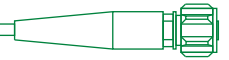


	Dimension	Part number
Multimode	Length = 5 m	F792 858 640-05
Multimode	Length = 50 m	F792 858 640-50

ODC4 plug / ODC4 plug, length (L) = 5m or 50m
 multimode = field cable (4 fibers)



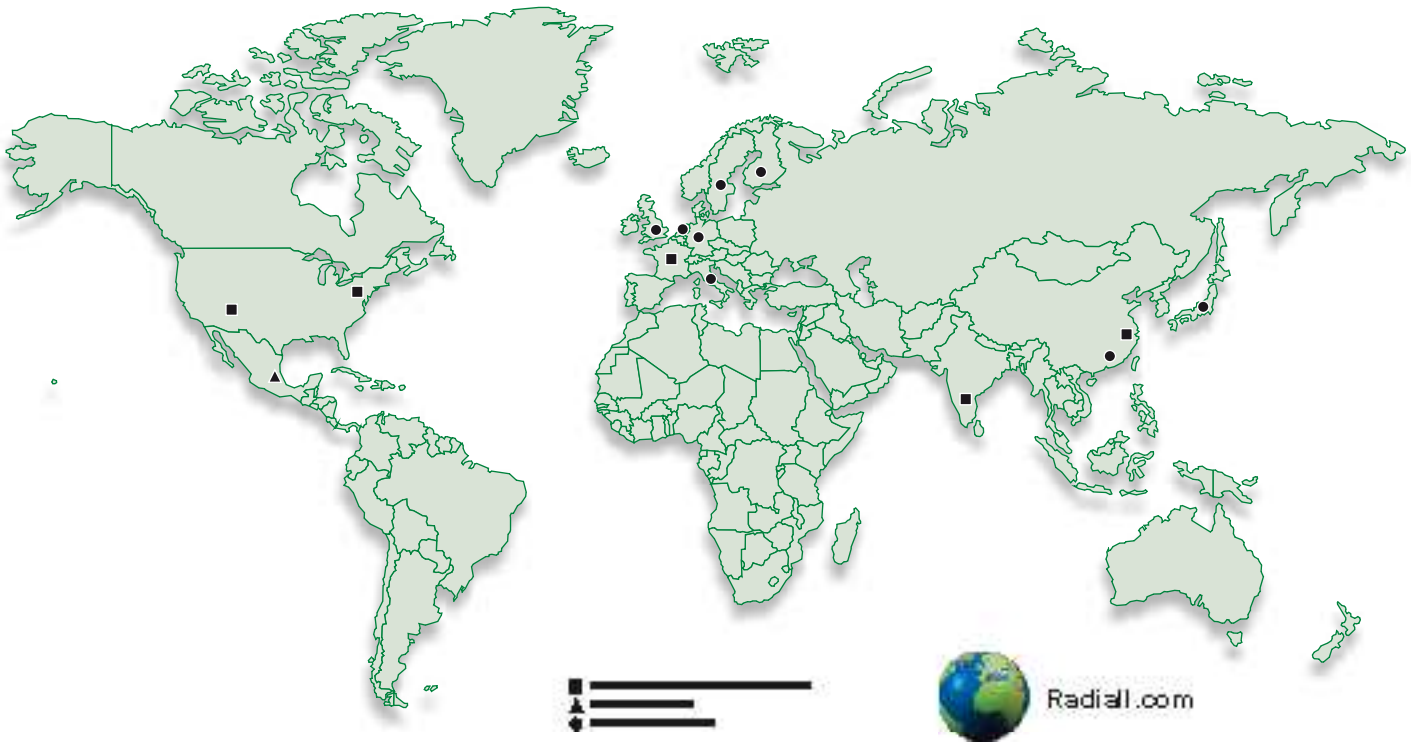
	Dimension	Part number
Multimode	Length = 5m	F792 888 640-05
Multimode	Length = 50m	F792 888 640-50



Use the matrix below to build your own part-number

	O	P2X	M	09S	P2X	V	015
<p>1- series : _____ O = ODC[®] series</p> <p>2- connector 1 : _____ P2X = ODC2 plug P4X = ODC4 plug S2A = ODC2 socket / square flange small (24,5 mm) S2B = ODC2 socket / square flange large (32 mm) S2C = ODC2 socket / hexagonal flange (30 mm on flats) S4D = ODC4 socket / hexagonal flange (30 mm on flats) S4E = ODC4 socket / square flange small (24,5 mm) - for other connector types : please consult us</p> <p>3- connector 1 protection cap : _____ C = ODC metal dust cap with chain (IP67) M = ODC metal dust cap without chain (IP67) P = ODC plastic cap V = ODC vinyl dust cap - for other cap types : please consult us</p> <p>4- fiber type / cable : _____ 09S = simplex fiber / singlemode 9/125 / for socket only 50S = simplex fiber / multimode 50/125 / for socket only 62S = simplex fiber / multimode 62.5/125 / for socket only 09F = field cable 2 fibers / singlemode 9/125 / for plug only 50F = field cable 2 fibers / multimode 50/125 / for plug only 62F = field cable 2 fibers / multimode 62.5/125 / for plug only 50G = field cable 4 fibers / multimode 50/125 / for plug only 62G = field cable 4 fibers / multimode 62.5/125 / for plug only - for other fiber types and cables : please consult us</p> <p>5- connector 2 : _____ XXX = free end P2X = ODC2 plug P4X = ODC4 plug LC = 1 x Simplex LC (for simplex cable assembly) LC1 = 1 x Duplex LC (for 2 channels assembly) LC2 = 2 x Duplex LC (for 4 channels assembly) SC = 1 x Simplex SC (for simplex cable assembly) SC1 = 1 x Duplex SC (for 2 channels assembly) SC2 = 2 x Duplex SC (for 4 channels assembly) - for other connector types : please consult us</p> <p>6- connector 2 protection cap : _____ C = ODC metal dust cap with chain (IP67) M = ODC metal dust cap without chain (IP67) P = ODC plastic cap V = ODC vinyl dust cap - for other cap types : please consult us</p> <p>7- length : _____ XXX M = overall length in meter XXX CM = overall length in centimeter - for other length : please consult us</p>							

For further description, please ask for our standard generic Technical Data Sheet.
 Any variation will have to be expressed through a customer specification (length, labelling, packaging, ...)



RADIALL WORLDWIDE LOCATIONS

EUROPE

France - RADIALL HEADQUARTERS

101, Rue Ph. Hoffmann - 93116 ROSNY sous BOIS (Paris)
 Tel. : +33 1 49 35 35 35 Fax : +33 1 48 54 63 63
 E-Mail : info@radiall.com

Finland - RADIALL SF

P.O. Box 202 - 90101 OULU
 Tel. : +358 407 522 412
 E-Mail : infofi@radiall.com

Germany - RADIALL GmbH

Carl-Zeiss Str. 10 Postfach 200143 - D63307 RÖDERMARK (Frankfurt)
 Tel. : +49 60 74 91 07 0 Fax : +49 60 74 91 07 70
 E-Mail : infode@radiall.com
 Regional office : Munich

Italy - RADIALL Elettronica SRL

Via Concordia, 5 - 20090 ASSAGO MILANO
 Tel. : +39 02 48 85 121 Fax : +39 02 48 84 30 18
 E-Mail : infoit@radiall.com
 Regional office : Roma

Netherlands - RADIALL BV

Hogebrinkerweg 15b - 3871 KM HOEVELAKEN
 Tel. : +31 33 253 40 09 Fax : +31 33 253 45 12
 E-Mail : infofl@radiall.com

Sweden - RADIALL AB

Sjöängsvägen 2 - SE-192 72 SOLLENTUNA (Stockholm)
 Tel. : +46 844 434 10 Fax : +46 875 449 16
 E-Mail : infose@radiall.com

U.K. - RADIALL Ltd

Ground Floor, 6 The Grand Union Office Park, Packet Boat Lane
 UXBRIDGE Middlesex UB8 2GH (London)
 Tel. : +44 1895 425 000 Fax : +44 1895 425 010
 E-Mail : infouk@radiall.com

AMERICA

North America

RADIALL

6825 West Galveston Street Suite 11
 CHANDLER, Arizona 85226, USA
 Tel. : +1 480 682 9400 Fax : +1 480 682 9403
 E-Mail : infousa@radiall.com

RADIALL-AEP

104 John W. Murphy Drive
 NEW HAVEN, Connecticut 06513
 Tel. : +1 203 776 2813 Fax : +1 203 776 8294
 E-Mail : aeppales@aep.us

ASIA

China - SHANGHAI RADIALL Electronic Co., Ltd

N° 390 Yong He Road 200072 - SHANGHAI
 Tel. : +86 21 66 52 37 88 Fax : +86 21 66 52 11 77
 E-Mail : infozh@radiall.com

Japan - NIHON RADIALL

Shibuya-ku Ebisu 1-5-2, Kougetsu Bldg 405-TOKYO 150-0013
 Tel. : +81 3 3440 6241 Fax : +81 3 3440 6242
 E-Mail : infojp@radiall.com

HongKong - RADIALL Electronics Ltd

Elite Industrial Centre, Room 212, 2/F
 N° 883 Cheung Sha Wan Road - KOWLOON HONG KONG
 Tel. : +852 29 59 38 33 Fax : +852 29 59 26 36
 E-Mail : infohk@radiall.com

India - RADIALL PROTECTRON pvt Ltd

25 D, II Phase, Peenya Industrial Area - BANGALORE 560058
 Tel. : +91 80 23 72 09 89 Fax : +91 80 28 39 72 28
 E-Mail : infoin@radiall.com

REPRESENTED IN

Africa	Greece	Russia	Thailand
Australia	Israël	Singapore	Taiwan
Belgium	Malaysia	Spain	Turkey
China	Philippines	South Africa	USA
Denmark	Poland	South Korea	
France	Portugal	Switzerland	

For the above countries, please contact the local agent or RADIALL at info@radiall.com

D1F220CE - 2008 August Edition

RADIALL 
 The next connexion